

Reolink E Series

E331

Smart 5MP Wi-Fi PT Indoor Security Camera



3K

3K Resolution



355° Pan & 50° Tilt



Bluetooth Provisioning



Infrared
Night Vision



2.4G/5G WiFi



Two-way
Audio



USB-C



Privacy Mode



Auto Tracking



Person & Pet
Detection



Crying Detection



Time Lapse



Smart Home
Integration



Flexible
Installation



Local Storage

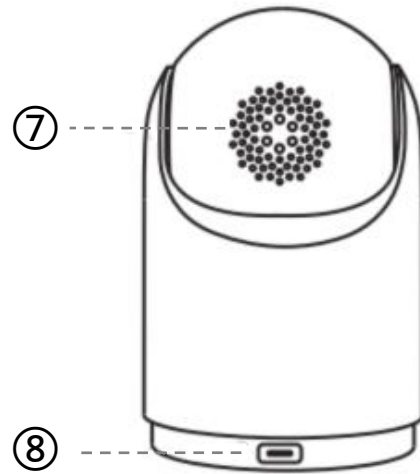
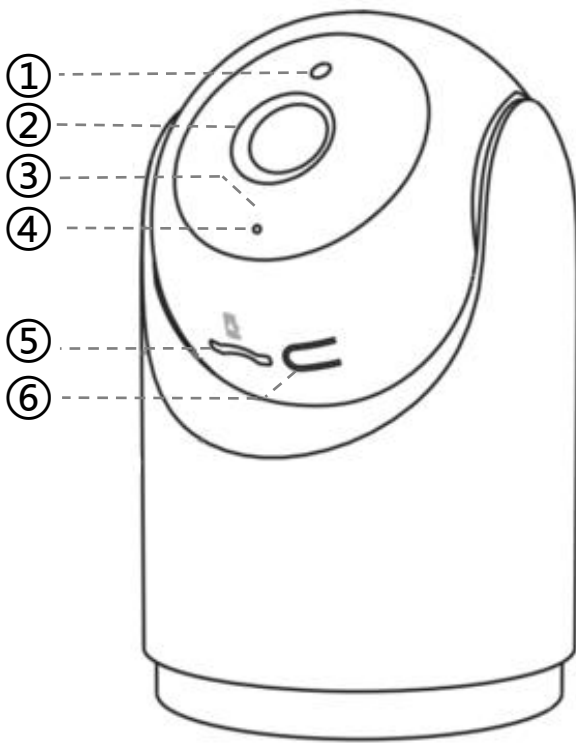


Cloud Support

Reolink Specification

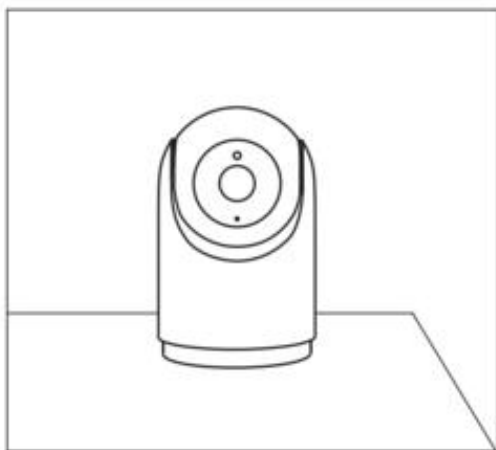
Video & Audio	
Image Sensor	1/2.7" CMOS sensor
Resolution	2880x1616 (5 megapixels)@20fps
Lens	f=4mm, F=1.6, with IR cut
Video Compression	H.264
Field of View	Horizontal: 87.5°
	Vertical: 45.4°
Pan/Tilt Angle	Horizontal: 355°
	Vertical: 50°
Day & Night	IR-cut filter with auto-switching
Infrared Night Vision	Up to 12 meters (40ft)
Frame Rate	Up to 20fps
Audio	Two-way audio
Interface	
Power Port	Type-C USB
System	Reset button
Storage	microSD card slot (Max. 512GB)
Audio	Built-in microphone and speaker
Wi-Fi & Bluetooth	
Wireless Standard	IEEE 802.11a/b/g/n/ac/ax
Operating Frequency	2.4GHz/5GHz
Wireless Security	WPA/WPA2/WPA3
Bluetooth	Supported
Software	
Frame Rate	<ul style="list-style-type: none"> • Mainstream: 2fps - 20fps (default: 20fps) • Substream: 4fps - 20fps (default: 10fps)
Code Rate	<ul style="list-style-type: none"> • Mainstream: 2048Kbps - 5120Kbps (default: 3072Kbps) • Substream: 128Kbps - 1228Kbps (default: 1024Kbps)
Browsers Supported	IE, Edge, Chrome, Firefox, Safari
OS Supported	PC: Windows, Mac OS; Smartphone: iOS, Android
Smart Detection	Motion detection/Human Detection/Pet Detection/Crying Detection
Recording Modes	Motion recording (default); scheduled recording; 24/7 recording
Protocols & Standards	SSL, TCP/IP, UDP, IPv4, UPnP, RTSP, RTMP, SMTP, NTP, DHCP, DNS, DDNS, FTP, P2P, ONVIF
Maximal User Access	Max. 20 users (1 admin & 19 user); Max. 12 simultaneous streams (2 main & 10 sub streams)
Work with	Alexa, Google Assistant
Privacy Mode	Supported
Time Lapse	Supported
Auto-Tracking	Supported
Working Environment	
Operating Temperature	-10°C~+55°C (14°F~131°F)
Operating Humidity	20% ~ 85%
Size & Weight	
Dimensions	Φ73×114 mm
Weight	171 g
Warranty	
Limited Warranty	2-year limited warranty. For support, visit https://support.reolink.com/hc/en-us/ .

Reolink Product Explanation

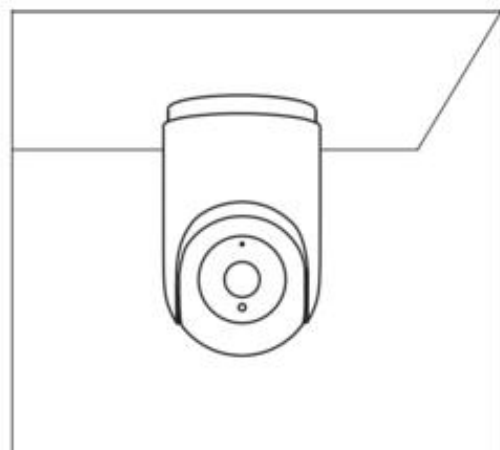





- ① CDS
- ② Gray Lens Ring
- ③ LED
- ④ Microphone
- ⑤ Reset
- ⑥ Micro SD Card Slot
- ⑦ Speaker
- ⑧ Type-C USB port

Desktop



Ceiling Mount



 reolink.com  sales@reolink.com  [@ReolinkTech](https://www.instagram.com/ReolinkTech)  [@Reolinkcams](https://www.instagram.com/Reolinkcams)  [@ReolinkCameras](https://www.youtube.com/ReolinkCameras)

Note: Data subject to change without notice